



YAGI 2 ELEMENTS VHF ANTENNA

80 ÷ 87 MHz

12300021

SY 052

POLOMARCONI.IT



POLOMARCONI offers a very wide range of wireless products. Our products can be tailored according to the customer's need.

PMR

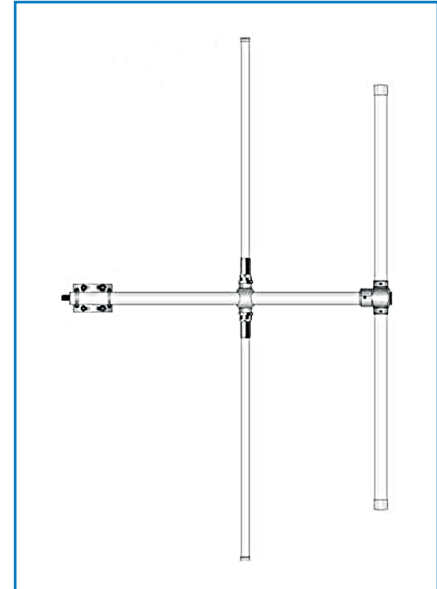
Electrical Specifications

Frequency Band (MHz)	80 ÷ 87
Impedance (Ω)	50
VSWR at resonant frequency	≤ 1.5:1
Continuous Max Power (W)	200
Polarization	vertical or horizontal
Gain (dBd)	3
HPBW (°) - E-plane	75
HPBW (°) - H-plane	202
Front to back Ratio (dBd)	> 10
Operation Temp. Range (°C)	-35° + +80°

DESCRIPTION:

Yagi 2 elements antenna for VHF band.

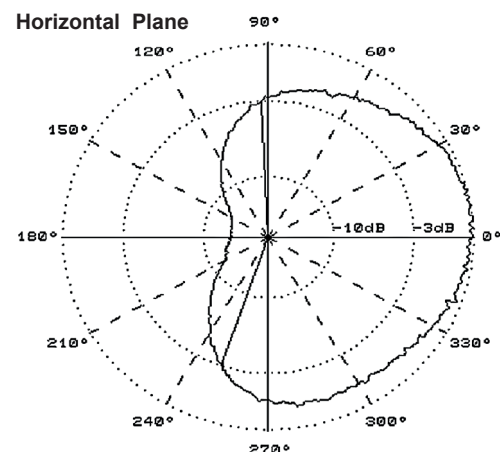
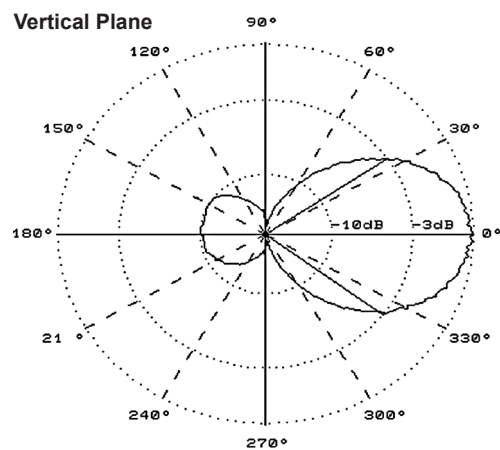
All parts of the antenna are DC grounded from lightning protection.



Mechanical Specifications

Connector	N f
Dimensions (mm)	1950 x 1090
Weight (kg)	4.5
Max. wind velocity (km/h)	120
Materials	
radiator coverage	fiberglass
boom	anodized aluminium
elements	anodized aluminium
Mounting hole on master tube (mm)	30 ÷ 62

Radiation Patterns



BY



Made in Italy. We reserve the right to modify these data without any notice.