



# YAGI 4 ELEMENTS VHF ANTENNA

73.5 ÷ 76.5 MHz

12300030

SY 054

POLOMARCONI.IT



POLOMARCONI offers a very wide range of wireless products. Our products can be tailored according to the customer's need.

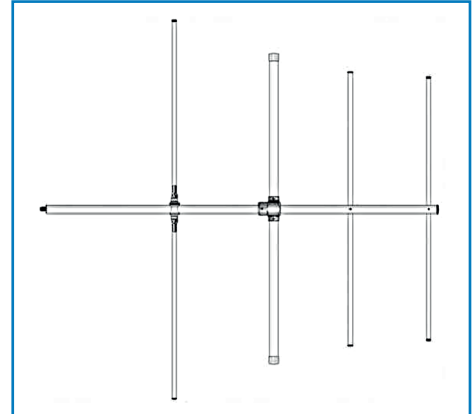
PMR

## Electrical Specifications

Frequency Band (MHz)	73.5 ÷ 76.5
Impedance (Ω)	50
VSWR at resonant frequency	≤ 1.5:1
Continuous Max. Power (W)	200
Polarization	vertical or horizontal
Gain (dBd)	5
HPBW (°) - E-plane	64
HPBW (°) - H-plane	113
Front to back Ratio (dBd)	>14
Operation Temp. Range (°C)	-35° ÷ +80°

## DESCRIPTION:

Yagi 4 elements antenna for VHF band.  
All parts of the antenna are DC grounded from lightning protection.

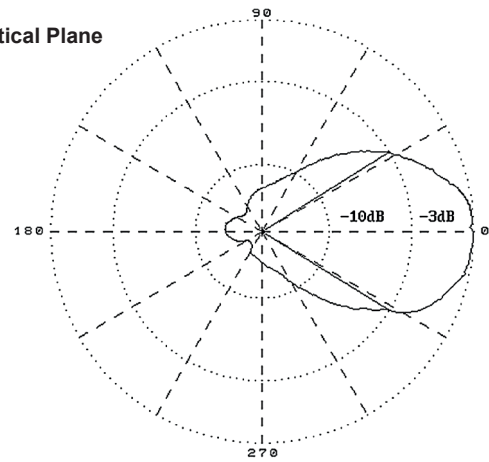


## Mechanical Specifications

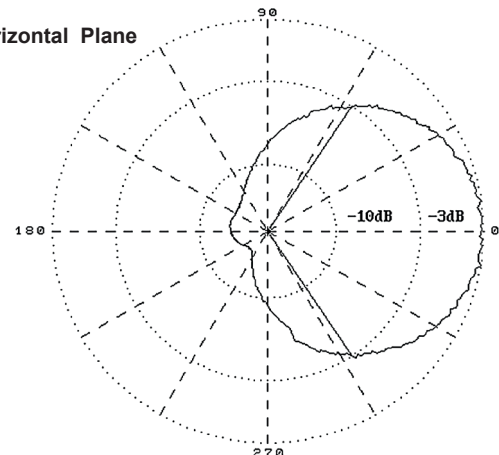
Connector	N f
Dimensions (mm)	2405 x 2100
Weight (kg)	7.0
Max. wind velocity (km/h)	120
Materials	
radiator coverage	Fiberglass
boom	anodized aluminium
elements	anodized aluminium
Mounting hole on master tube (mm)	30 ÷ 62

## Radiation Patterns

Vertical Plane



Horizontal Plane



BY



Made in Italy. We reserve the right to modify these data without any notice.