



# YAGI 3 ELEMENTS VHF ANTENNA

108 ÷ 118 MHz

1330080  
SY 153 A

POLOMARCONI.IT



POLOMARCONI offers a very wide range of wireless products. Our products can be tailored according to the customer's need.

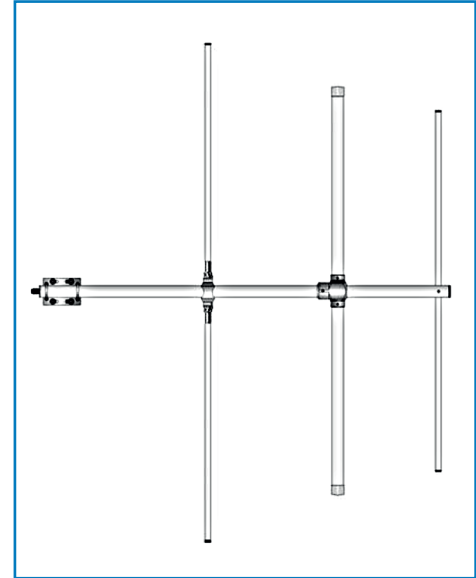
PMR

## Electrical Specifications

Frequency Band (MHz)	108 ÷ 118
Impedance (Ω)	50
VSWR	≤ 1.5:1
Continuous Max. Power (W)	200
Polarization	vertical or horizontal
Gain (dBd)	5.5
HPBW (°) - E-plane	70
HPBW (°) - H-plane	142
Front to back Ratio (dBd)	>17
Operation Temp. Range (°C)	-35° ÷ +80°

## DESCRIPTION:

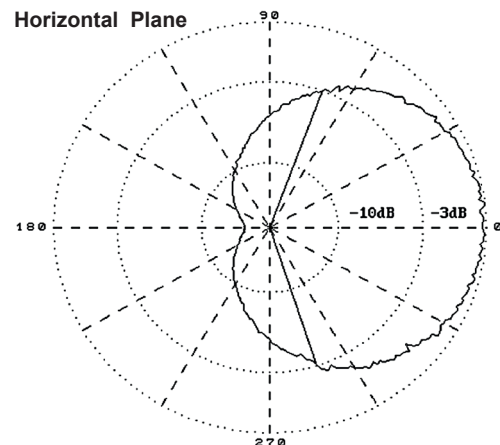
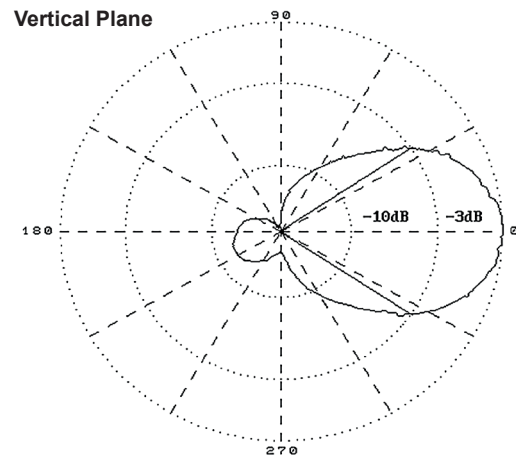
Yagi 3 elements antenna for VHF band.  
All parts of the antenna are DC grounded from lightning protection.



## Mechanical Specifications

Connector	N f
Dimensions (mm)	1430 x 1430
Weight (kg)	4.0
Max. wind velocity (km/h)	160
Materials	
radiator coverage	Fiberglass
boom	anodized aluminium
elements	anodized aluminium
Mounting hole on master tube (mm)	30 ÷ 62

## Radiation Patterns



BY



Made in Italy. We reserve the right to modify these data without any notice.