



# YAGI 4 ELEMENTS VHF ANTENNA

140 ÷ 158 MHz

13300090

SY 154 L

POLOMARCONI.IT



POLOMARCONI offers a very wide range of wireless products. Our products can be tailored according to the customer's need.

PMR

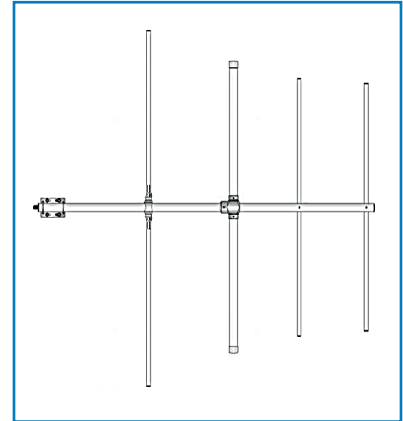
## Electrical Specifications

Frequency Band (MHz)	140 ÷ 158
Impedance (Ω)	50
VSWR at resonant frequency	≤ 1.5:1
Continuous Max. Power (W)	200
Polarization	vertical or horizontal
Gain (dBd)	7
HPBW (°) - E-plane	81
HPBW (°) - H-plane	56
Front to back Ratio (dBd)	> 14
Operation Temp. Range (°C)	-35° ÷ +80°

## DESCRIPTION:

Yagi 4 elements antennas for VHF band.

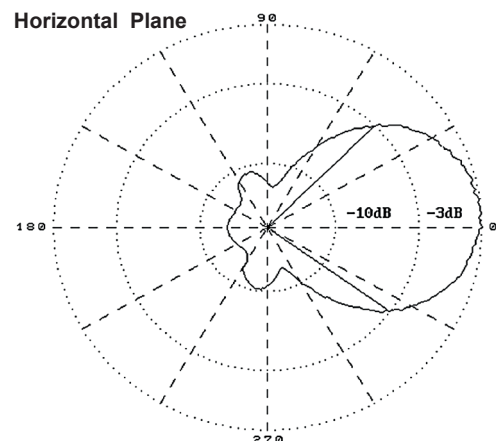
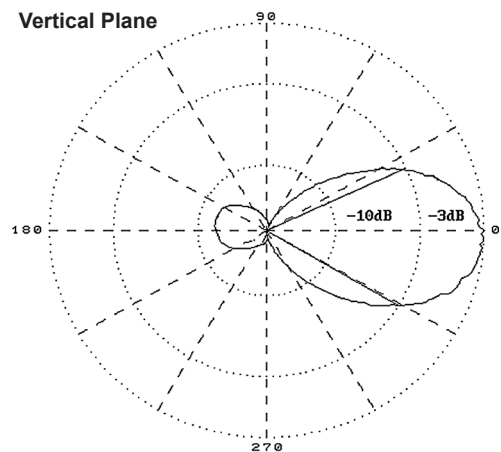
All parts of the antenna are DC grounded from lightning protection.



## Mechanical Specifications

Connector	N f
Dimensions (mm)	1300 x 1045
Weight (kg)	2.8
Max. wind velocity (km/h)	120
Materials	
radiator coverage	fiberglass
boom	anodized aluminium
elements	anodized aluminium
Mounting hole on master tube (mm)	30 ÷ 62

## Radiation Patterns



BY



Made in Italy. We reserve the right to modify these data without any notice.