



DIRECTIONAL UHF BASE ANTENNA

300 ÷ 342 MHz

14300080

SY 352

POLOMARCONI.IT



POLOMARCONI offers a very wide range of wireless products. Our products can be tailored according to the customer's need.

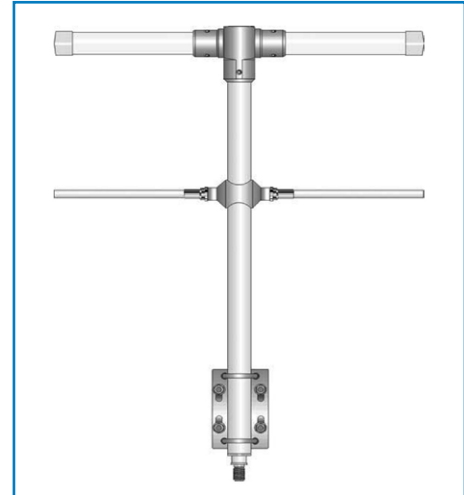
PMR

Electrical Specifications

Type	2 el. yagi
Frequency band (MHz)	300 ÷ 342
Impedance (Ω)	50
VSWR at resonant frequency	< 1.5:1
Continuous Max. Power (W)	200
Polarization	vertical or horizontal
Gain (dBd)	3
HPBW (°) - E-plane	137
HPBW (°) - H-plane	75

DESCRIPTION

2 elements yagi antenna
Fibreglass covered radiator
Lightning protection

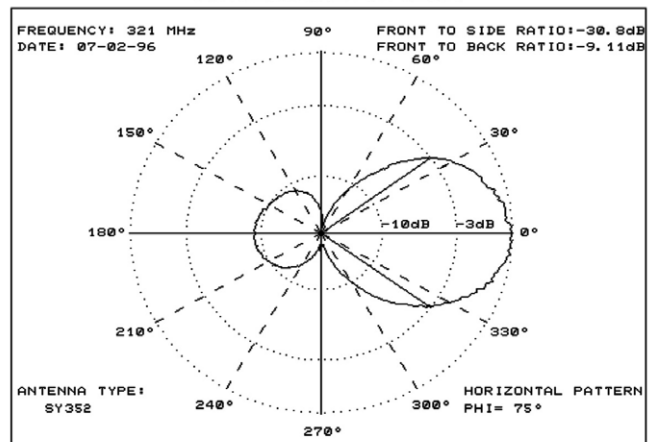


Mechanical Specifications

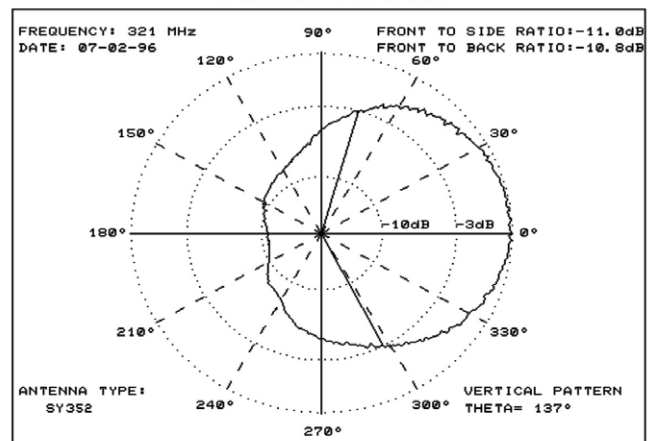
Connector	N f
Dimensions (mm)	700 x 560
Weight (kg)	2.7
Max. wind velocity (km/h)	120
Materials	boom anodized aluminium elements anodized aluminium
Mounting hole on master tube (mm)	30 ÷ 62

Radiation Patterns

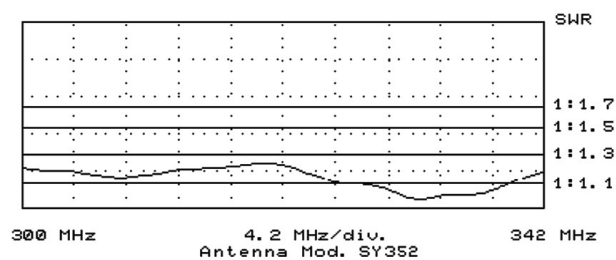
HORIZONTAL PATTERN



VERTICAL PATTERN



VSWR



BY



Made in Italy. We reserve the right to modify these data without any notice.