



OMNIDIRECTIONAL MOBILE ANTENNA

2400 ÷ 2485 MHz

LP 2403

POLOMARCONI.IT



POLOMARCONI offers a very wide range of wireless products.
Our products can be tailored according to the customer's need.

RAILWAYS AND
TRANSPORT

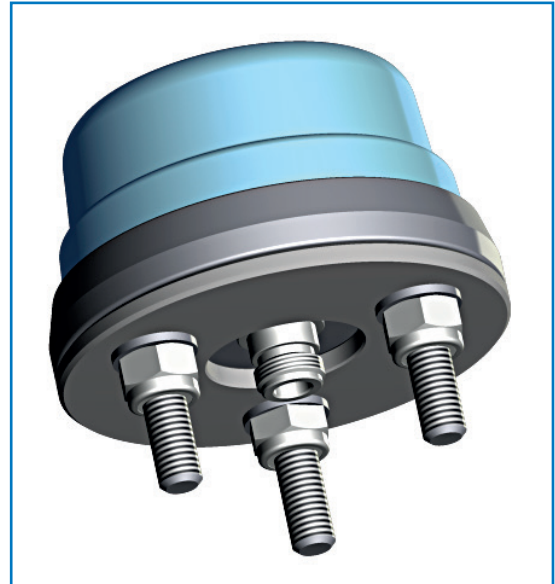
Electrical Specifications

Wi-Fi BAND

Frequency range (MHz)	2400 ÷ 2485
Impedance (Ω)	50
VSWR	< 1.5:1
Continuous Max. Power (W)	25
Polarization	linear vertical
Gain (dB) over $\lambda/4$ monopole antenna	0
Operating temperature range ($^{\circ}\text{C}$)	-35° ÷ +80°

Mechanical Specifications

Type of connection	N female
Connector	Silver plated brass
Dimensions (Height from rooftop x Base Diameter, mm)	60x104
Weight (kg)	abt. 0.5
Base material	Aluminium with SURTEC 650 galvanic treatment
Radome material	Polycarbonate
Mounting holes	In conformity with FEDERTRASPORTI 00104/5





OMNIDIRECTIONAL MOBILE ANTENNA

2400 ÷ 2485 MHz

LP 2403

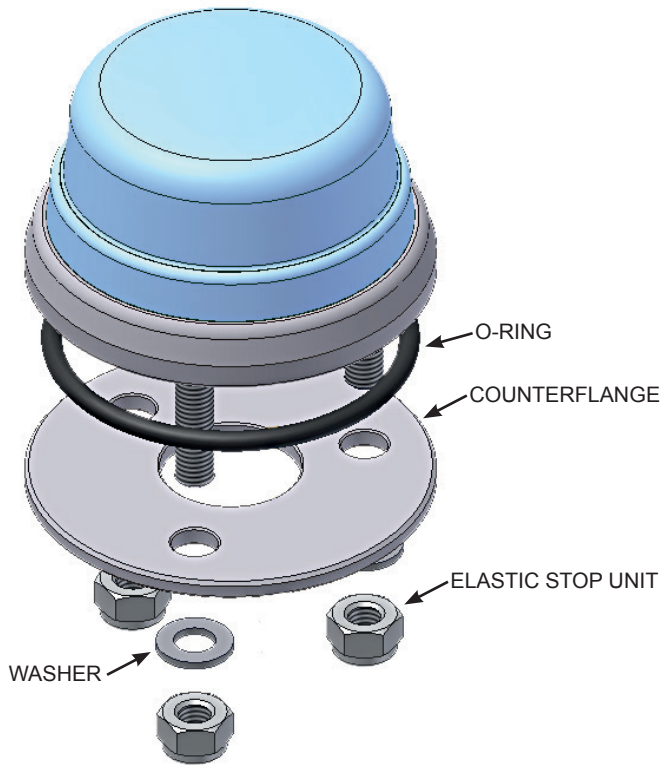
POLOMARCONI.IT



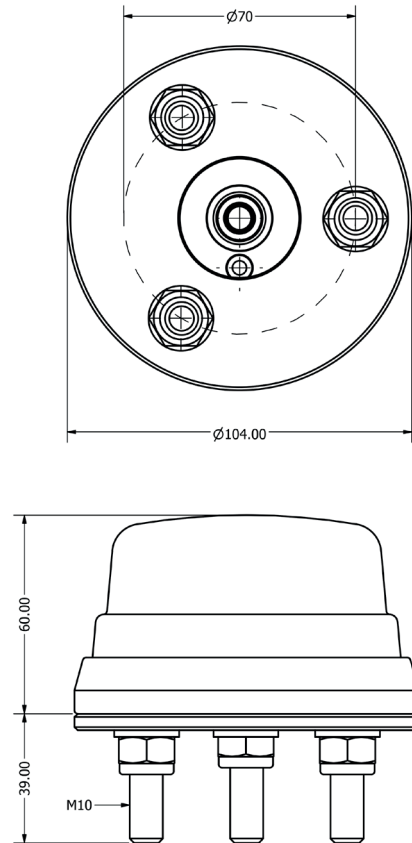
POLOMARCONI offers a very wide range of wireless products. Our products can be tailored according to the customer's need.

RAILWAYS AND TRANSPORT

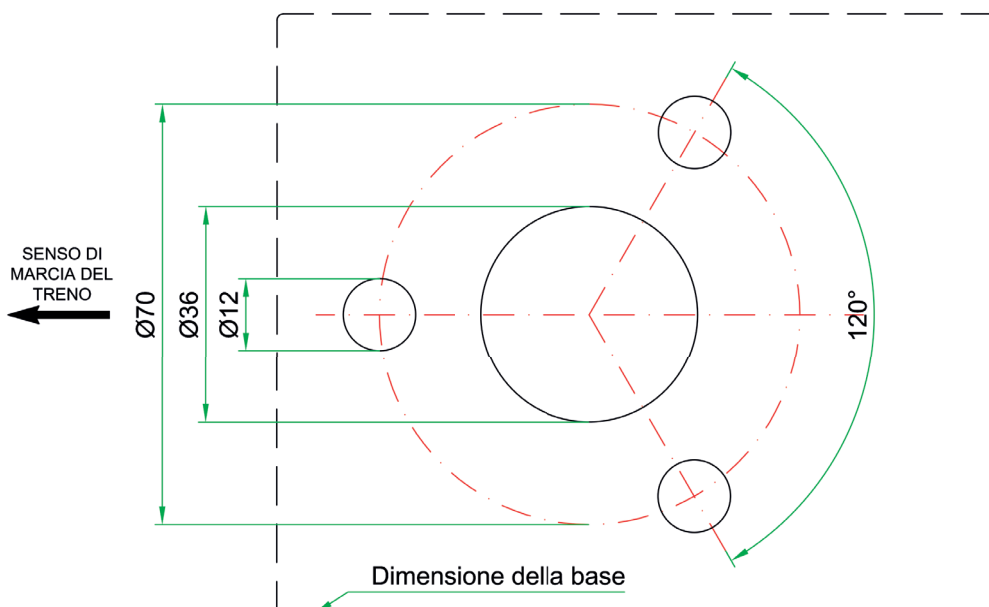
EXPLODED VIEW



OVERALL DIMENSIONS



MOUNTING FLANGE



BY



Made in Italy. We reserve the right to modify these data without any notice.

2 / 2

LP2403-DS REV. 02 - 10/01/2017