



# YAGI 6 ELEMENTS UHF ANTENNA

435 ÷ 470 MHz

R-4.06.001.01

R-Y 611 NZ

POLOMARCONI.IT



POLOMARCONI offers a very wide range of wireless products. Our products can be tailored according to the customer's need.

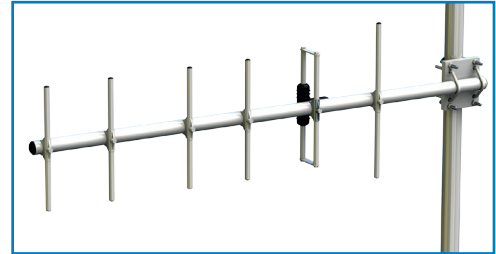
PMR

## Electrical Specifications

Frequency range (MHz)	435 ÷ 470
Input Impedance ( $\Omega$ )	50
VSWR at resonant frequency	< 1.5:1
Continuous Max. Power (W)	150
Polarization	vertical or horizontal
Gain (dBd)	8
HPBW ( $^{\circ}$ ) - E-plane	50
HPBW ( $^{\circ}$ ) - H-plane	60
Front to back Ratio (dBd)	> 15
Operation Temp. Range ( $^{\circ}$ C)	-35 $^{\circ}$ ÷ +80 $^{\circ}$

## Mechanical Specifications

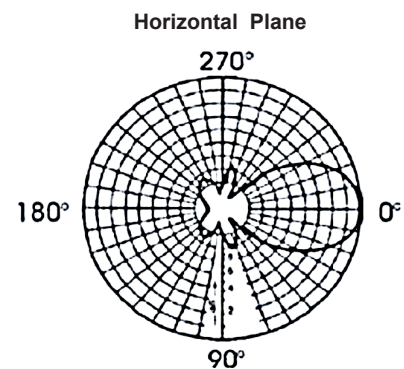
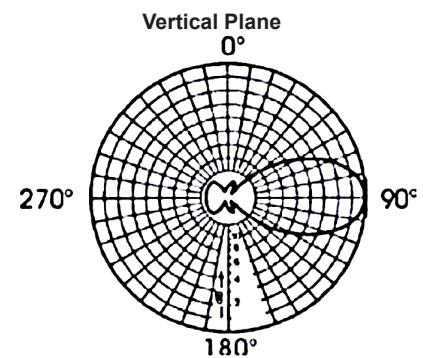
Connector	N f	
Dimensions (mm)	360 x 1015	
Weight (kg)	2.6	
Max. wind velocity (km/h)	160	
Materials	boom	Aluminum alloy DIN 3.2315
	elements	Aluminum alloy DIN 3.2306
Mounting mast tube $\varnothing$ (mm)	33 ÷ 60	



### DESCRIPTION:

Yagi 6 elements antenna for UHF band. All parts of the antenna are DC grounded from lightning protection.

## Radiation Patterns



BY



Made in Italy. We reserve the right to modify these data without any notice.