



# OMNIDIRECTIONAL WIDE BAND ANTENNA

790 ÷ 960 MHz / 1710 ÷ 2170 MHz / 2500 ÷ 2700 MHz

T01111810

POLOMARCONI.IT



POLOMARCONI offers a very wide range of wireless products. Our products can be tailored according to the customer's need.

M2M

## Electrical Specifications

Frequency bands (MHz)	790 ÷ 960 1710 ÷ 2170 2500 ÷ 2700
Impedance ( $\Omega$ )	50
VSWR	
790 ÷ 960	$\leq 2.5:1$
1710 ÷ 2170	$\leq 2.0:1$
2500 ÷ 2700	$\leq 2.0:1$
Continuous Max. Power (W)	25
Polarization	linear vertical
Maximum gain (dBi) (*)	$\geq 1.5$
HPBW ( $^\circ$ ) - H-plane	360
HPBW ( $^\circ$ ) - E-plane	$\geq 30$
Operation Temp. Range ( $^\circ\text{C}$ )	-25 ÷ +55
Storage Temperature ( $^\circ\text{C}$ )	-45 ÷ +60

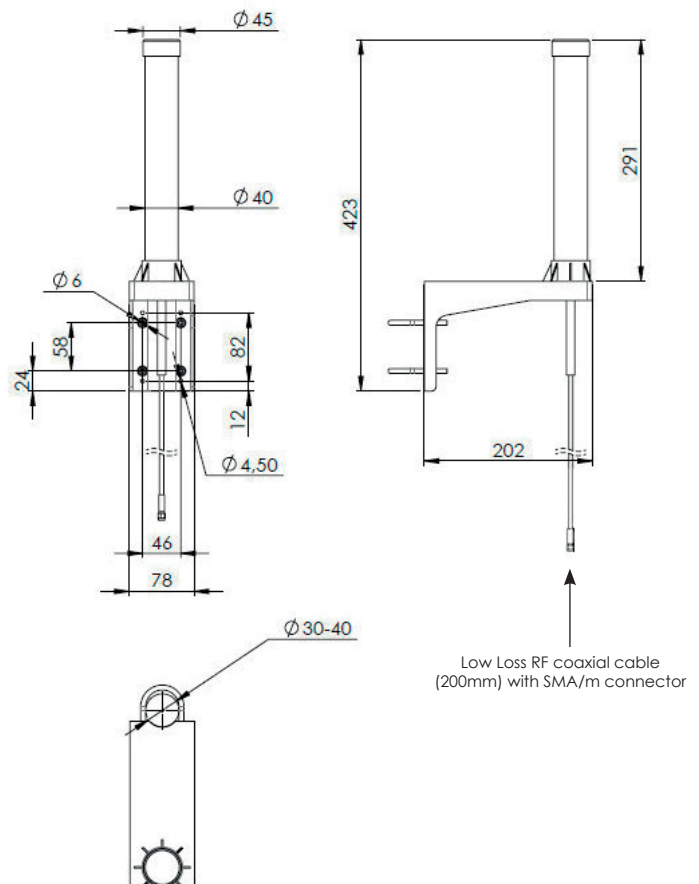
(\*) values have been measured with an antenna built-in RF coaxial cable lenght  $\leq 200$  mm



## Mechanical Specifications

Connector	200mm of 50 $\Omega$ low loss RF coaxial cable with SMA m connector (cable lenght and connectors could be tailored on customer needs)
Dimensions (height x width x depth, mm)	423x202x78
Weight (kg)	1.2
Colour	radome white
Material	radome UV resistant fiberglass
Mounting	on a master tube with $\varnothing 30\div 40$ mm OR on a wall
IP protection	54

## Dimensions (mm)



Made in Italy. We reserve the right to modify these data without any notice.

T01111810-DS REV. 00 - 12/09/2019