



BRANCHING UNIT

T06991846

POLOMARCONI.IT



POLOMARCONI offers a very wide range of wireless products. Our products can be tailored according to the customer's need.

PMR

Electrical Specifications

Channels	
4m band	
Rx 1	77.000 MHz
Tx 1	78.000 MHz
FM band	
Tx 2	102.500 MHz
Tx 3	103.300 MHz
2m band	
Rx 4	168.250 MHz
Tx 4	172.850 MHz
DAB band	
Tx 7, Tx 8	Ch 12A, Ch 12B
70cm band	
Rx 6	413.23125 MHz
Tx 6	423.23125 MHz
Insertion loss	
Tx 1,Rx 1 / A1	< 5.5 dB

Tx 1,Rx 1 / A4, A5	< 10.0 dB
Tx 2 / A4, A5	< 9.5 dB
Tx 3 / A4, A5	< 14.5 dB
Tx 3 / A6	< 2.0 dB
Rx 4 / A2	< 8.0 dB
Rx 4 / A4, A5	< 12.0 dB
Tx 4 / A2	< 9.0 dB
Tx 4 / A4, A5	< 13.0 dB
Tx 6, Rx 6 / A3	< 5.5 dB
Tx 6, Rx 6 / A4, A5	< 9.5 dB
Tx 7, Tx 8 / A4, A5	< 8.5 dB

Isolations

All Isolations Tx / Tx	> 75 dB
All Isolations Tx / Rx	> 75 dB
All Isolations Rx / Rx	> 30 dB

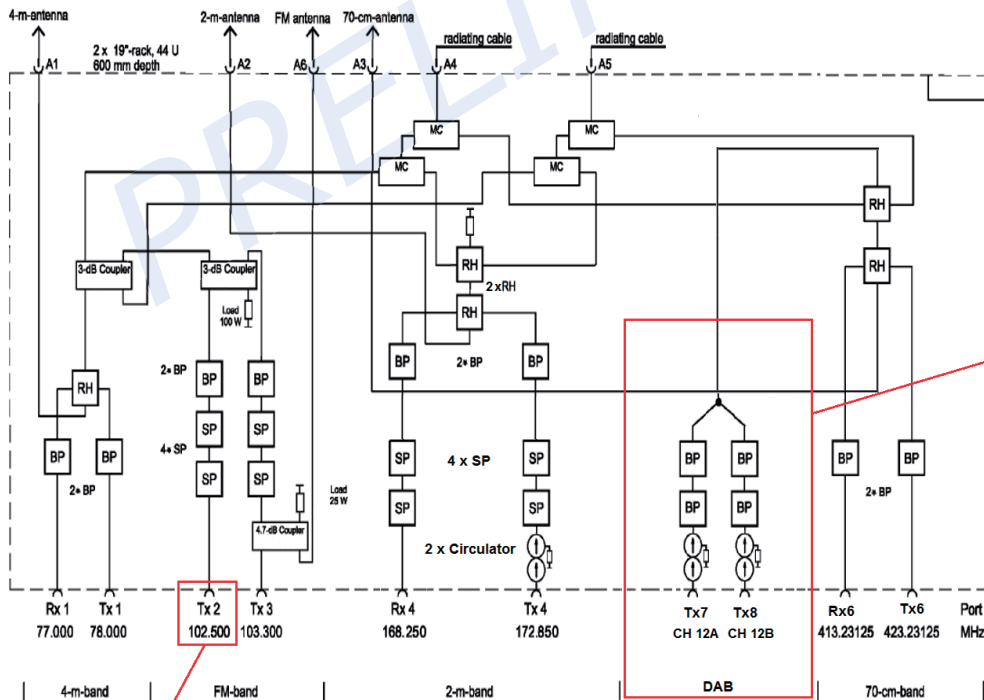
Input power

Tx 1, 4, 6	≤ 25 W
Tx 2, 7, 8	≤ 50 W
Tx 3	≤ 300 W
Connectors	N-Female



Mechanical Specifications

Dimensions (mm) 2 x Rack 44 UT 19" depth 600



FM CHANNEL:
TUNABLE FROM 101.6 to 103.8 MHz

BY **TELSA**

Made in Italy. We reserve the right to modify these data without any notice.